

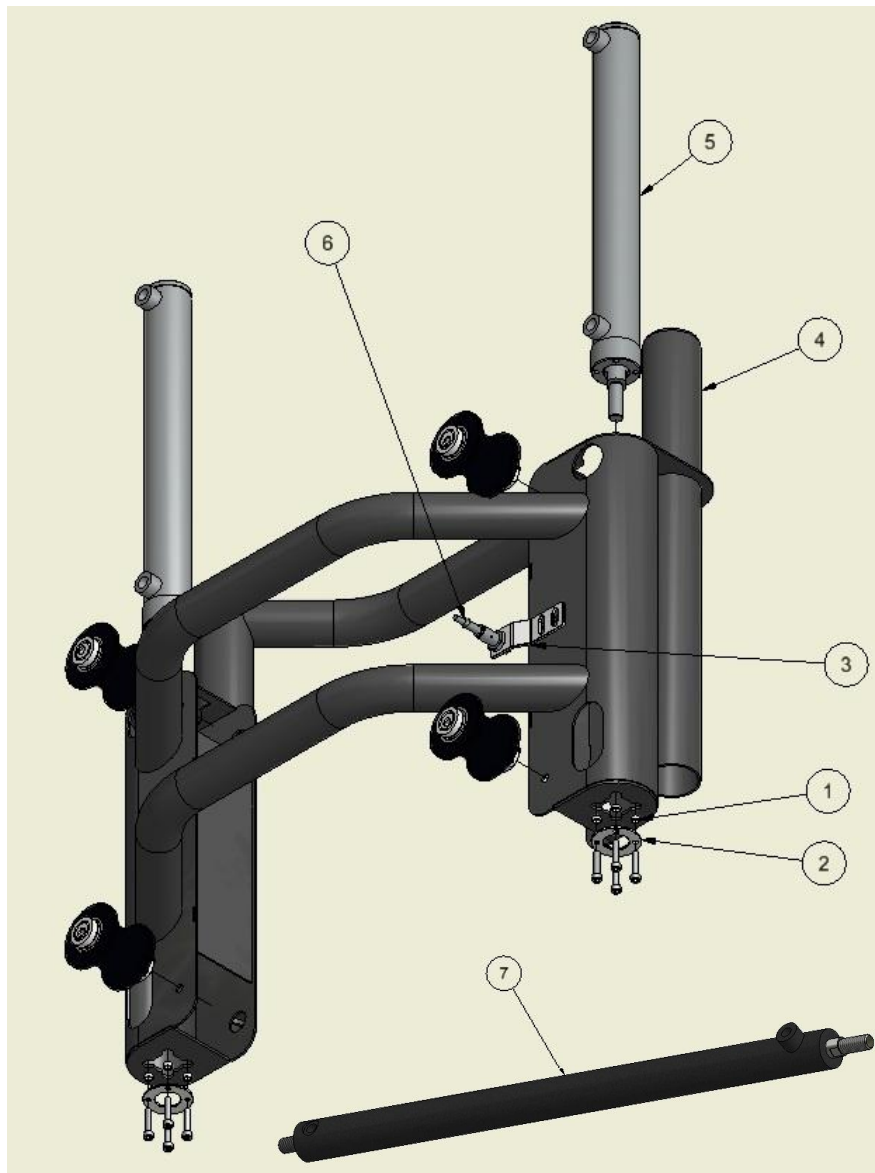
Spare parts catalogue Wintex 1000s



 **WINTEX**
1000s

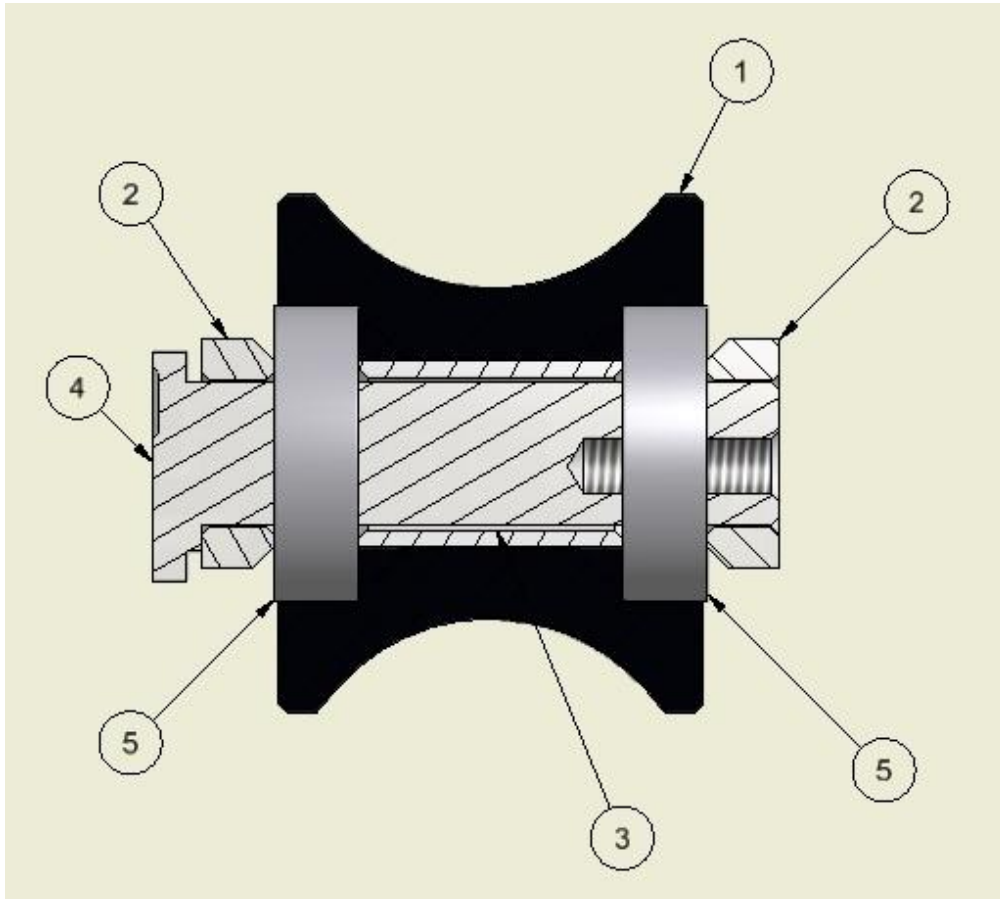


Fixed frame



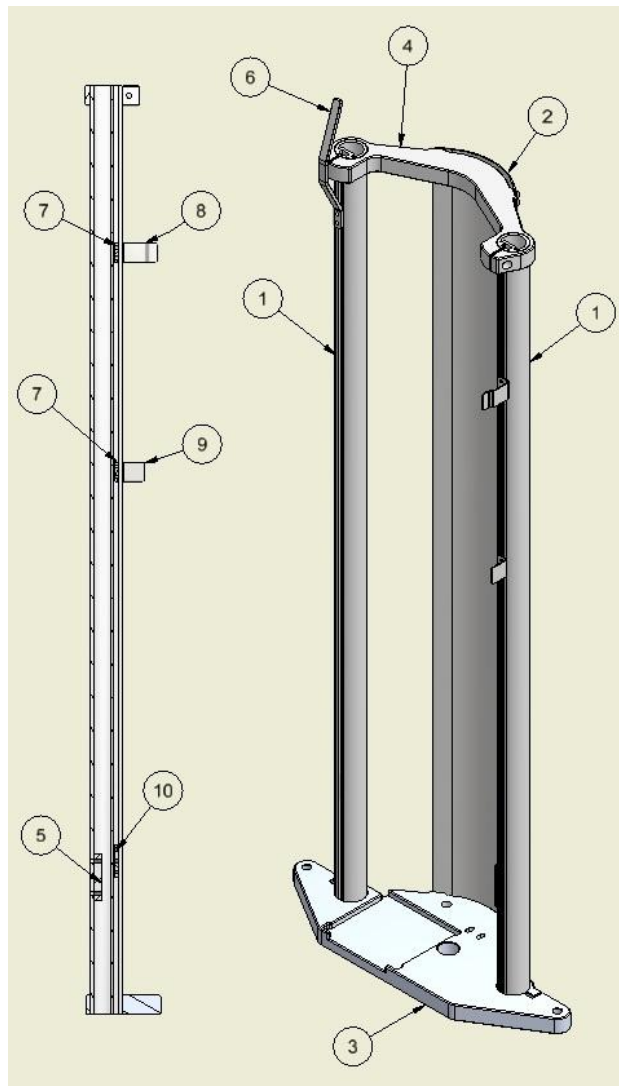
| PART NO. | ART. NO. | DESCRIPTION |
|----------|----------|------------------------------|
| 1 | 18101014 | Spacer ring f. Jack cylinder |
| 2 | 18101015 | Cylinder washer |
| 3 | 18101016 | Sensor fitting |
| 4 | 18101017 | Fixed frame |
| 5 | 18101019 | Jack cylinder V12 |
| 6 | 18101020 | Sensor |
| 7 | 18101101 | Hammer cylinder |

GUIDING ROLL



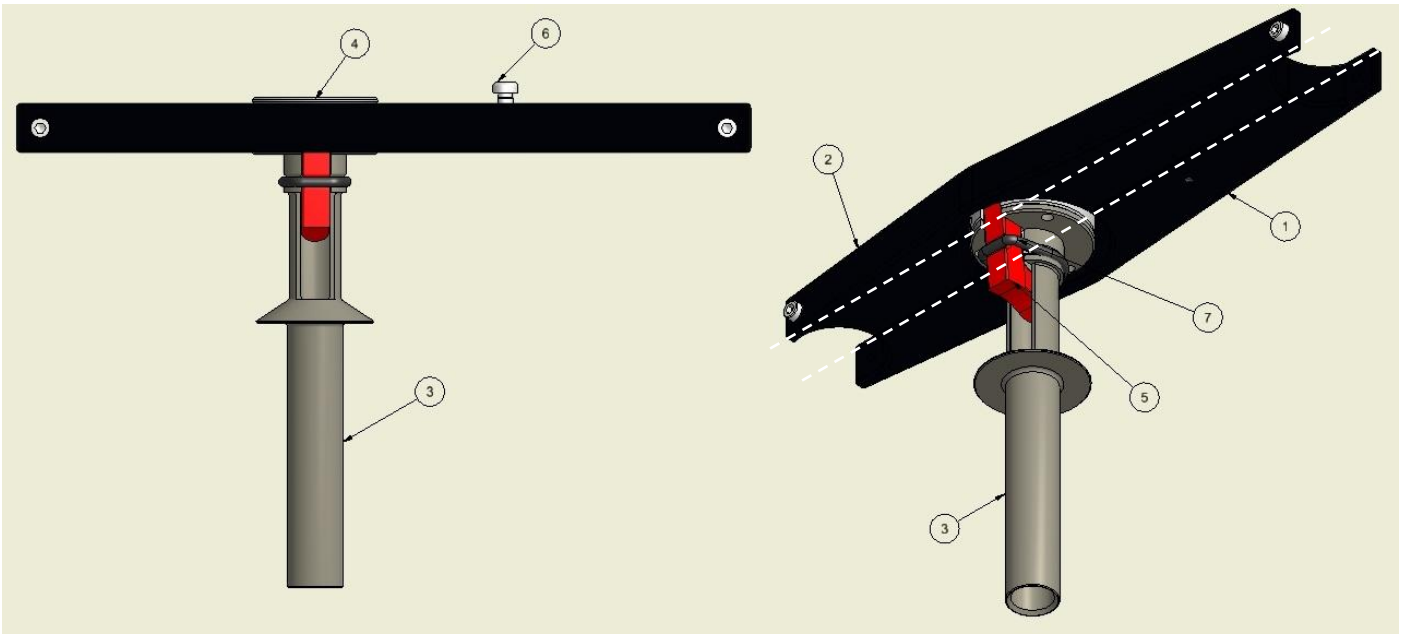
| PART NO. | ART. NO. | DESCRIPTION |
|----------|----------|--------------------------|
| 1 | 18101038 | Guiding roll |
| 2 | 18101042 | Spacer ring guiding roll |
| 3 | 18101043 | Bushing |
| 4 | 18101044 | Eccentric bolt |
| 5 | 18101048 | 1 bearing |

LOWERING FRAME



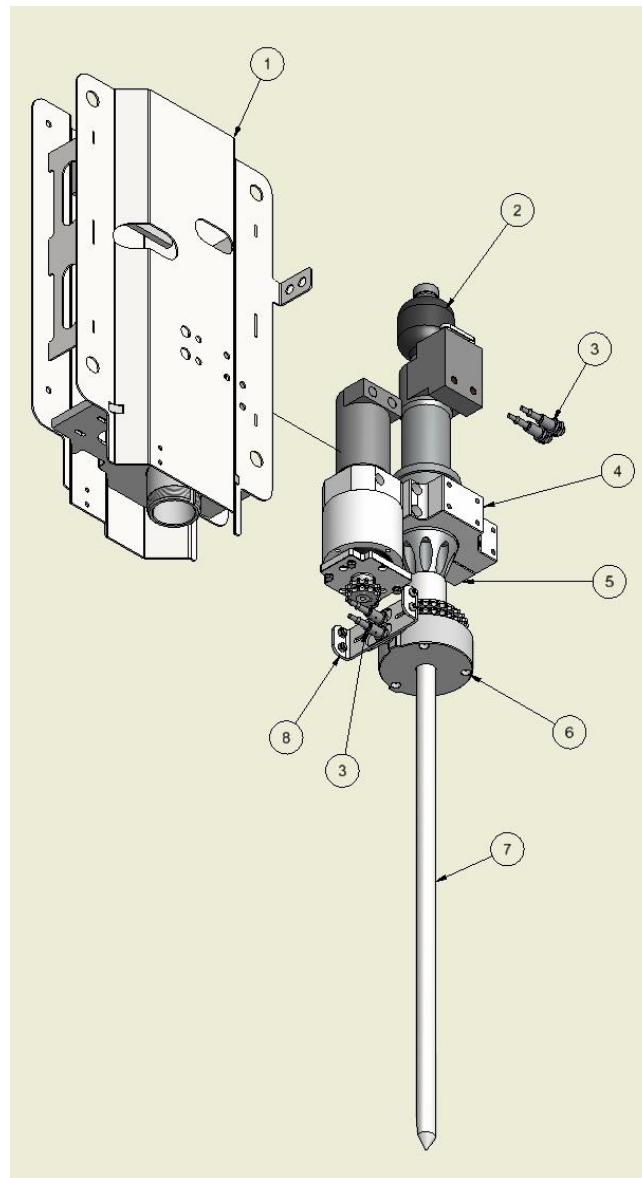
| PART NO. | ART. NO. | DESCRIPTION |
|----------|----------|---------------------------------|
| 1 | 18101021 | Guiding pipe |
| 2 | 18101022 | Outer cover |
| 3 | 18101023 | Bottom plate |
| 4 | 18101024 | Top plate |
| 5 | 18101025 | Retaining plate f. scraper unit |
| 6 | 18101026 | Hose guide |
| 7 | 18101027 | Retaining plate M6-C16 |
| 8 | 18101028 | Sensor plate 1 |
| 9 | 18101030 | Sensor plate 2 |
| 10 | 18101031 | Key 3xM6 |

SCRAPER UNIT



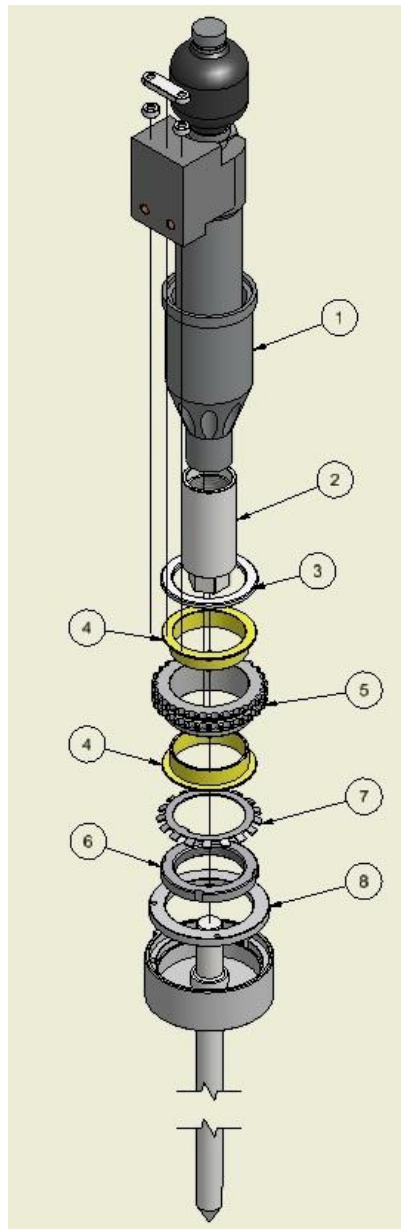
| PART NO. | ART. NO. | DESCRIPTION |
|----------|----------|---------------------------------|
| 1 | 18101032 | Retainer f. scraper unit, back |
| 2 | 18101033 | Retainer f. scraper unit, front |
| 3 | 18101034 | Steering pipe f. probe |
| 4 | 18101005 | Revolving platform |
| 5 | 18101003 | Scraper |
| 6 | 18101035 | Fitted bolt |
| 7 | 18101004 | O-ring f. scraper |
| - | 18101036 | Spring roll pin 8x30 mm |

HAMMER CARRIAGE



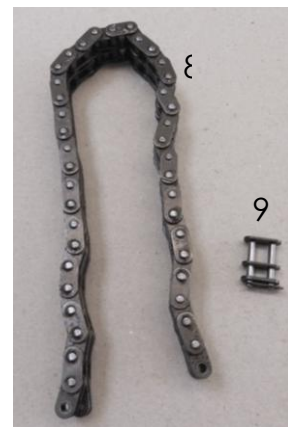
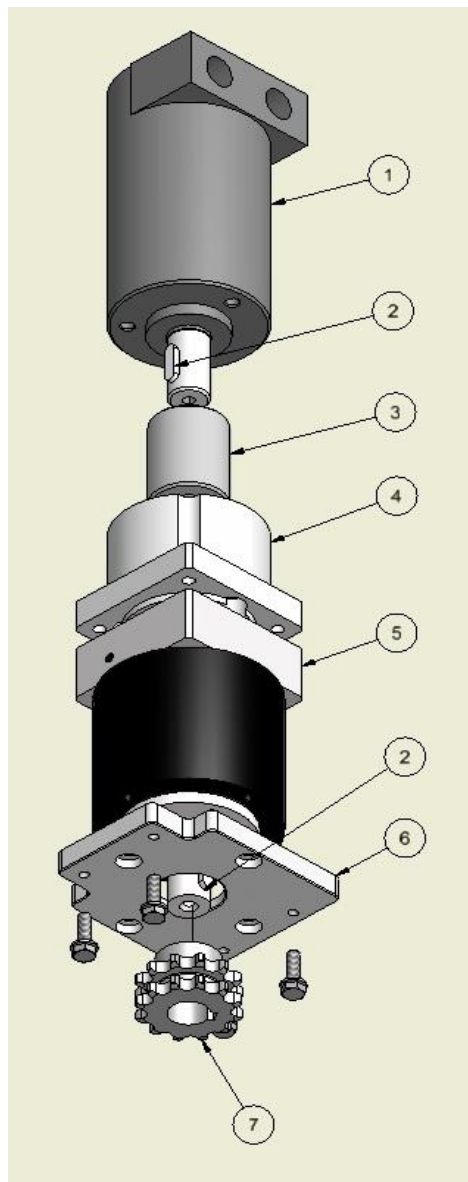
| PART NO. | ART. NO. | DESCRIPTION |
|----------|----------|---------------------|
| 1 | 18101064 | Motor carriage |
| 2 | 18101054 | Hydraulic hammer |
| 3 | 18101020 | Sensor |
| 4 | 18101098 | Hammer fitting A |
| 5 | 18101099 | Hammer fitting B |
| 6 | 18101106 | Rotary sensor plate |
| 7 | 18101001 | Probe 22 mm |
| 8 | 18101065 | Sensor retainer |

HAMMER CARRIAGE



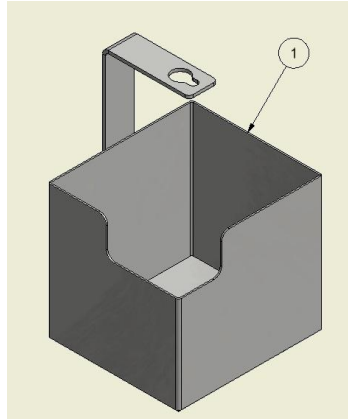
| PART NO. | ART. NO. | DESCRIPTION |
|----------|----------|---------------------------------|
| 1 | 18101037 | Bottom part hammer |
| 2 | 18101117 | Probe retainer |
| 3 | 18101041 | Spacer ring |
| 4 | 18101045 | Slide bearing |
| 5 | 18101046 | Gearwheel f. rotation, 30 teeth |
| 6 | 18101052 | Nut M60x2 mm |
| 7 | 18101053 | Lock washer |
| 8 | 18101049 | Spacer washer |

HAMMER CARRIAGE



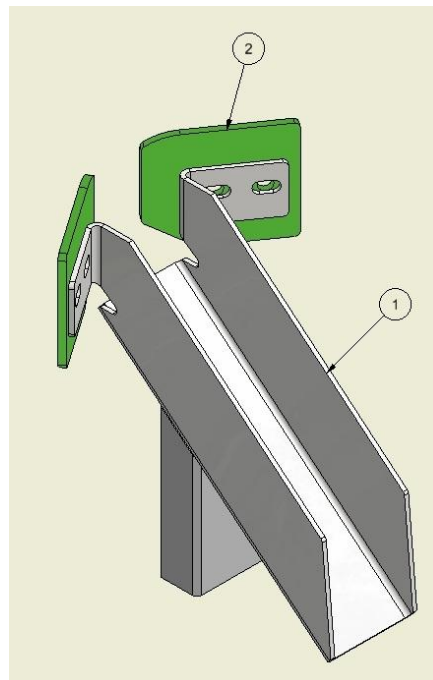
| PART NO. | ART. NO. | DESCRIPTION |
|----------|----------|---------------------------------|
| 1 | 18101056 | Oil motor |
| 2 | 18101050 | Parallel key f. gearwheel |
| 3 | 18101040 | Gear shaft |
| 4 | 18101039 | Gear adaptor |
| 5 | 18101055 | Planetary gear |
| 6 | 18101095 | Bottom plate hammer carriage |
| 7 | 18101047 | Gearwheel f. rotation, 12 teeth |
| 8 | 18101105 | Chain f. rotation |
| 9 | 18101104 | Chain joint |

SOILBOX



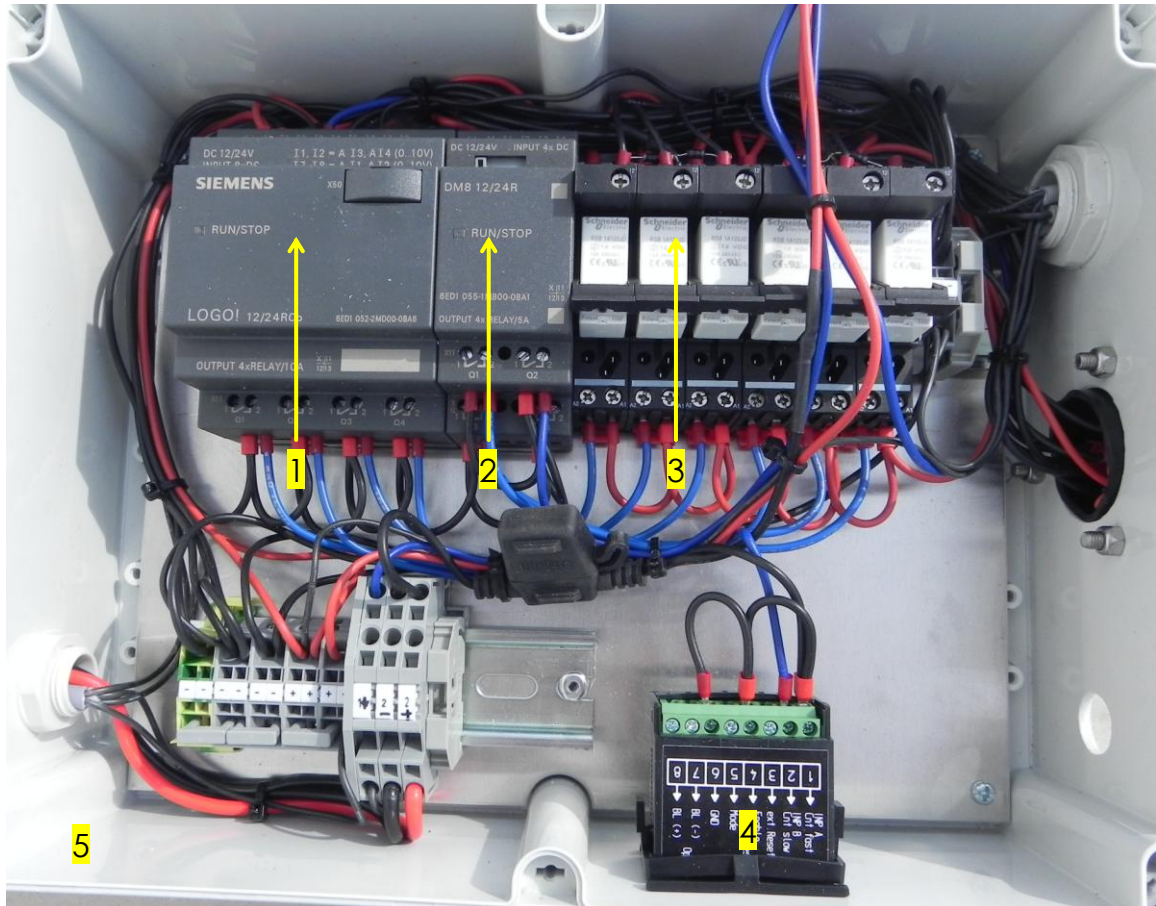
| PART NO. | ART. NO. | DESCRIPTION |
|----------|----------|-------------|
| 1 | 18101011 | Soil box |

FUNNEL FOR EMPTYING



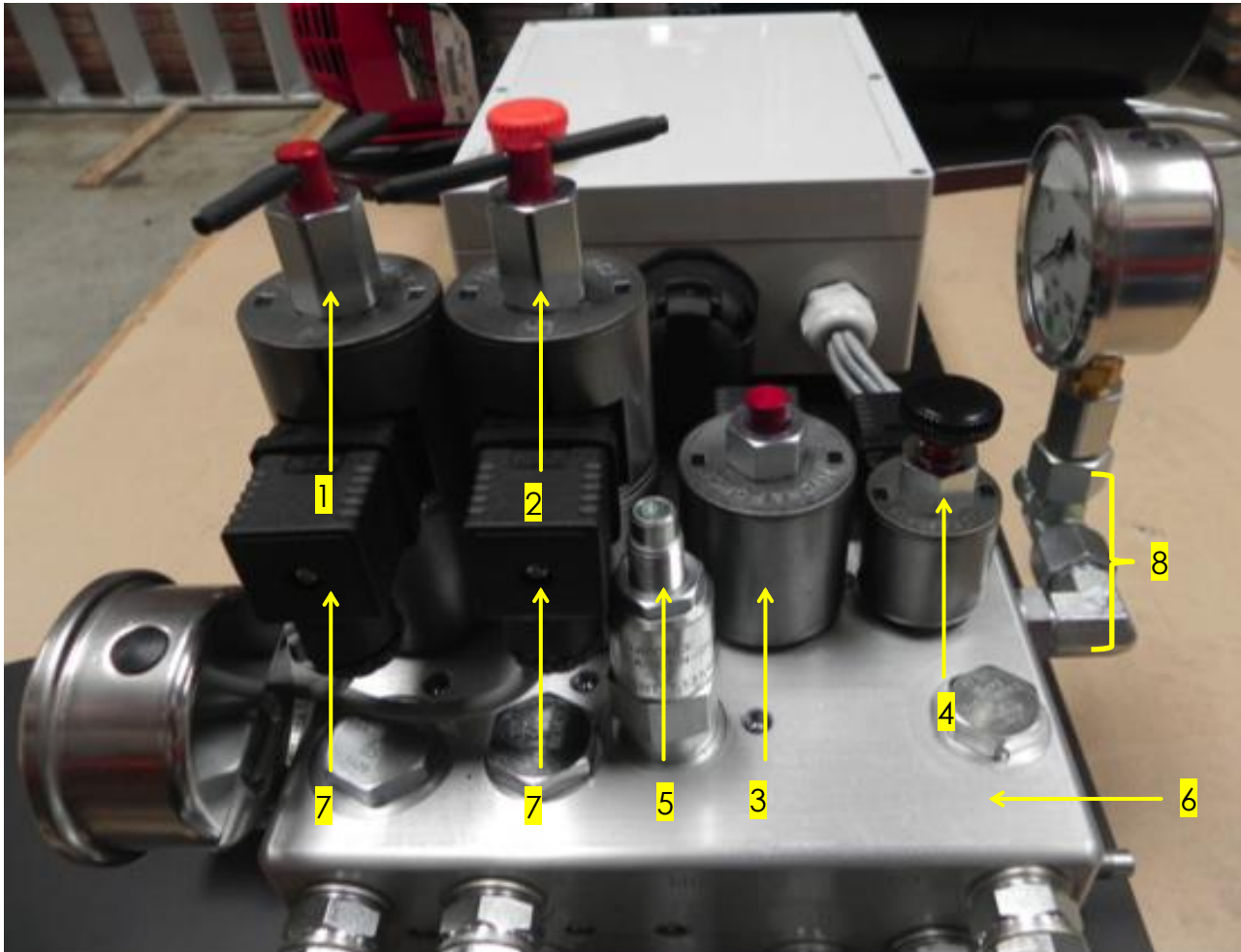
| PART NO. | ART. NO. | DESCRIPTION |
|----------|----------|-----------------------|
| 1 | 18101066 | Retainer for emptying |
| 2 | 18101012 | Scraper blade |

ELECTRICITY BOX



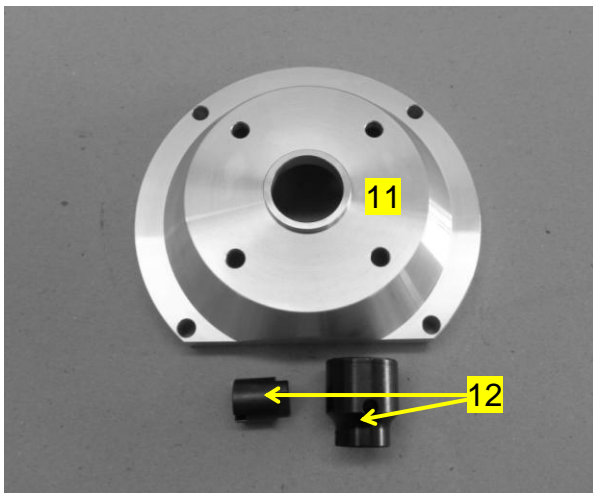
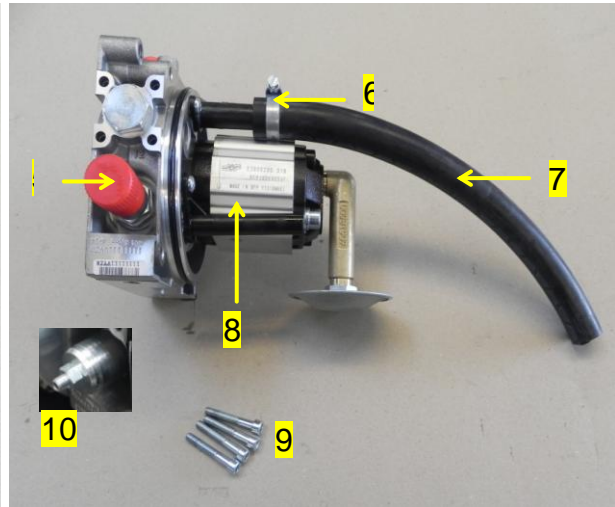
| PART NO. | ART. NO. | DESCRIPTION |
|----------|----------|--------------------------|
| 1 | 18101067 | PLC-logo w. programme |
| 2 | 18101068 | Logo extension |
| 3 | 18101069 | Plug-in relay 12 V |
| 4 | 18101089 | Counter |
| 5 | 18101091 | Electricity box complete |

HYDRAULIK BLOCK WITH VALVES



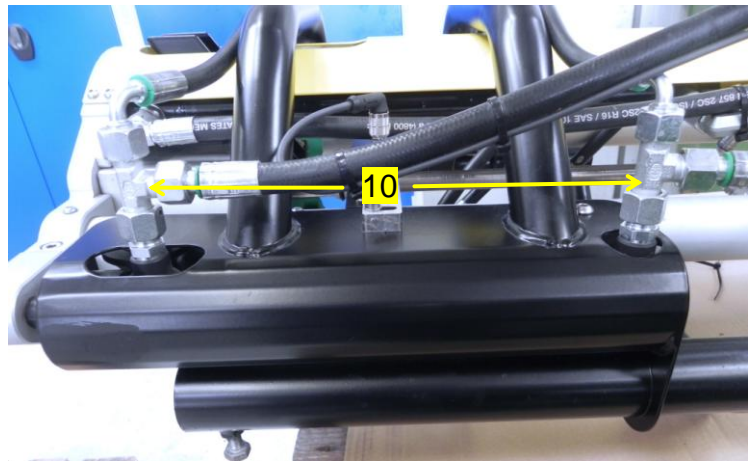
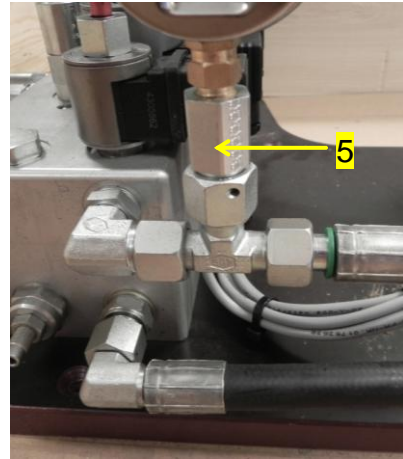
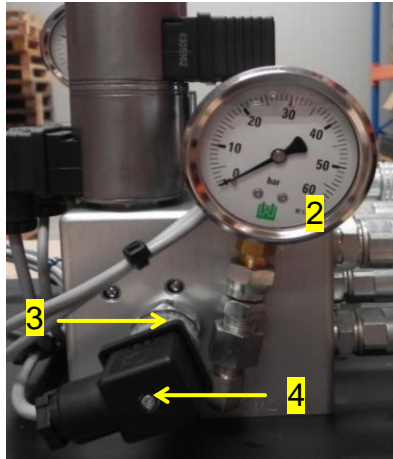
| PART NO. | ART. NO. | DESCRIPTION |
|----------|----------|-----------------------------------|
| 1 | 18101070 | Valve coil lowering frame up/down |
| 2 | 18101071 | Valve coil probe up/down |
| 3 | 18101072 | Valve coil f. rotation |
| 4 | 18101073 | Main valve |
| 5 | 18101074 | Adjustable valve f. probe/hammer |
| 6 | 18101075 | Valve block |
| 7 | 18101093 | 3-pole plug |
| 8 | 18101013 | Manometer connection |

HYDRAULIC PUMP WITH TANK



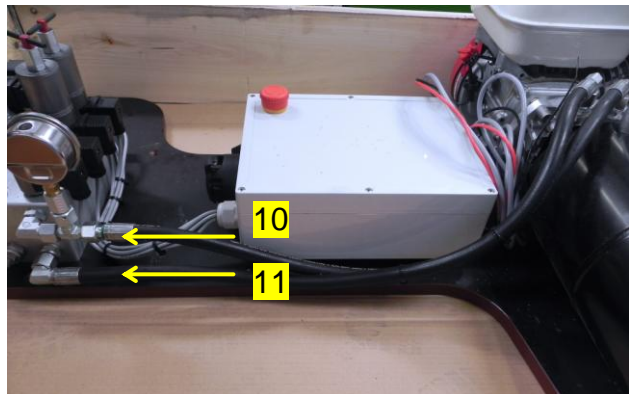
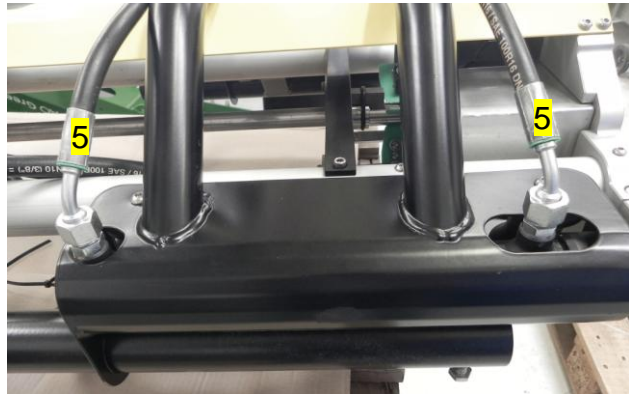
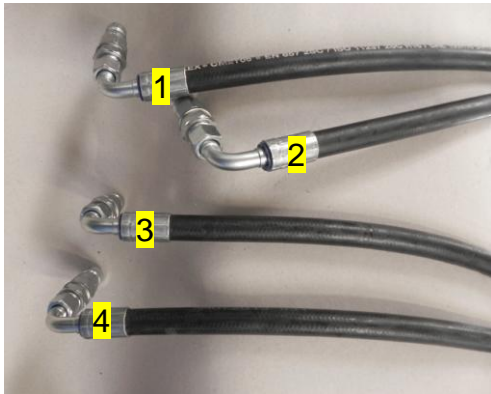
| PART NO. | ART. NO. | DESCRIPTION |
|----------|----------|--------------------------------|
| 1 | 18101080 | Oil tank, 8 l |
| 2 | 18101077 | Oil level rod w. filter cap |
| 3 | 18101079 | Nipple pipe 100 mm |
| 4 | 18101078 | Reduction 3/4" to 1/2" |
| 5 | 18101006 | Cap f. excess-pressure valve |
| 6 | 18101063 | Band clamp |
| 7 | 18101090 | Return hose |
| 8 | 18101100 | Oil pump 6,3CC |
| 9 | 18101103 | Bolt, 6x40 mm |
| 10 | 18101085 | Excess-pressure valve |
| 11 | 18101121 | Flange |
| 12 | 18101007 | Motor coupling |
| 13 | 18101081 | Bottom plate f. hydraulic unit |

HYDRAULICS



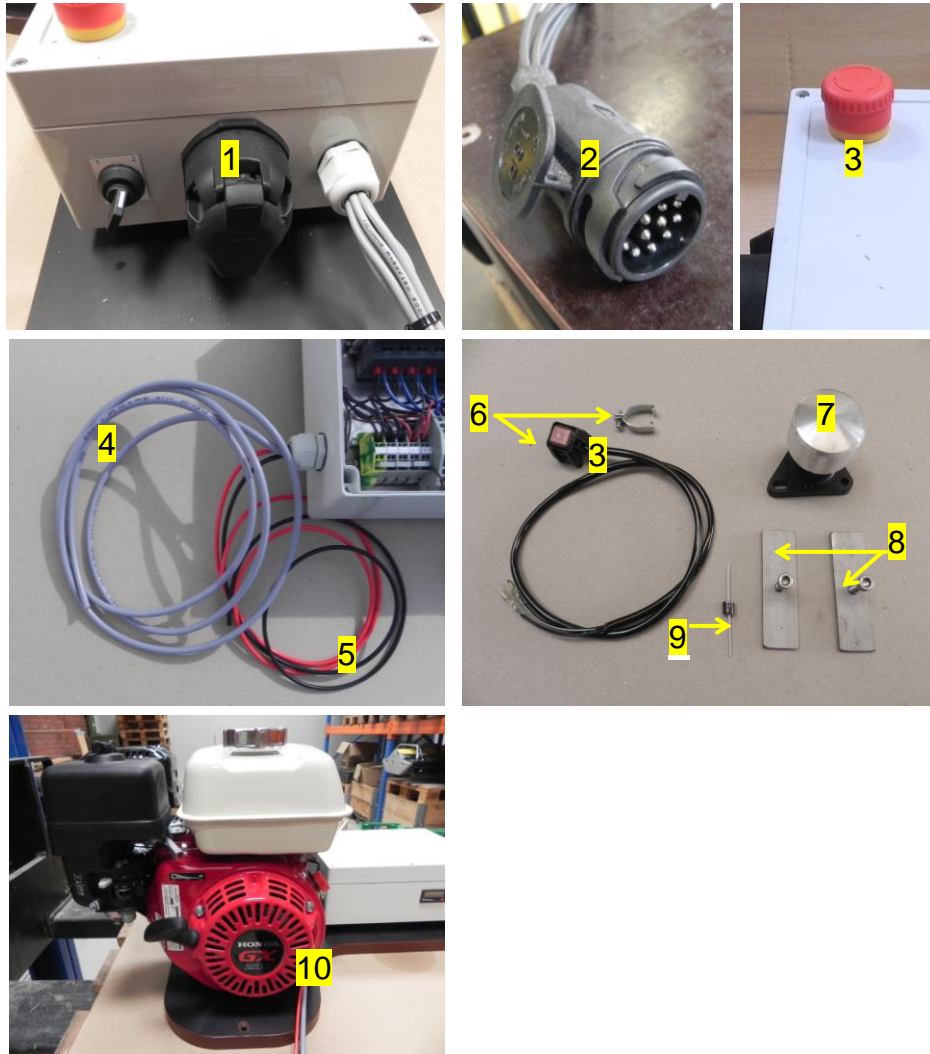
| PART NO. | ART. NO. | DESCRIPTION |
|----------|----------|------------------------------|
| 1 | 18101086 | Manometer 0-160 bar |
| 2 | 18101087 | Manometer 0-60 bar |
| 3 | 18101088 | Pressure switch 5-50 bar |
| 4 | 18101094 | 4-pole plug |
| 5 | 18101058 | Valve shut-off |
| 6 | 18101084 | Female coupling 3/8" |
| 7 | 18101102 | Male coupling 3/8" |
| 8 | 18101122 | O-ring f. female coupling |
| 9 | 18101123 | Wiper ring |
| 10 | 18101124 | T-adaptor w. compression nut |

HYDRAULIC HOSES



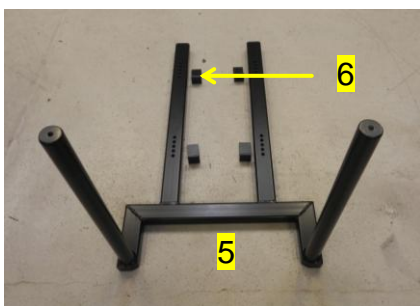
| PART NO. | ART. NO. | DESCRIPTION |
|----------|----------|--------------------------|
| 1 | 18101107 | Hose A1 , 820 mm |
| 2 | 18101108 | Hose A2 , 1600 mm |
| 3 | 18101110 | Hose B1 , 1080 mm |
| 4 | 18101111 | Hose B2 , 1100 mm |
| 5 | 18101125 | Hose f. Jack cylinder |
| 6 | 18101109 | Hose A3 , 1600 mm |
| 7 | 18101112 | Hose B3 , 1700 mm |
| 8 | 18101113 | Hose H , 1730 mm |
| 9 | 18101116 | Hose T2 , 1640 mm |
| 10 | 18101114 | Hose P , 780 mm |
| 11 | 18101115 | Hose T , 810 mm |

ELECTRICITY AND MOTOR



| PART NO. | ART. NO. | DESCRIPTION |
|----------|----------|------------------------|
| 1 | 18101083 | 13-pole female plug |
| 2 | 18101082 | 13-pole male plug |
| 3 | 18101061 | Emergency stop |
| 4 | 18101126 | 4-wire cable |
| 5 | 18101127 | 12 V cable |
| 6 | 18101119 | Start switch |
| 7 | 18101097 | Foot switch |
| 8 | 18101128 | Fitting f. foot switch |
| 9 | 18101096 | Diode |
| 10 | 18101092 | Honda motor 200GX |

VARIOUS PARTS



| PART NO. | ART. NO. | DESCRIPTION |
|----------|----------|---------------------------|
| 1 | 18101060 | Funnel f. filling of bags |
| 2 | 18101118 | Support rod |
| 3 | 18101120 | Wintex special key |
| 4 | 18101059 | Label Wintex 1000s |
| 5 | 18101129 | Mounting frame |
| 6 | 18101057 | Fitting f. mounting frame |